

SUPPLY SERVICES

performance engineering products

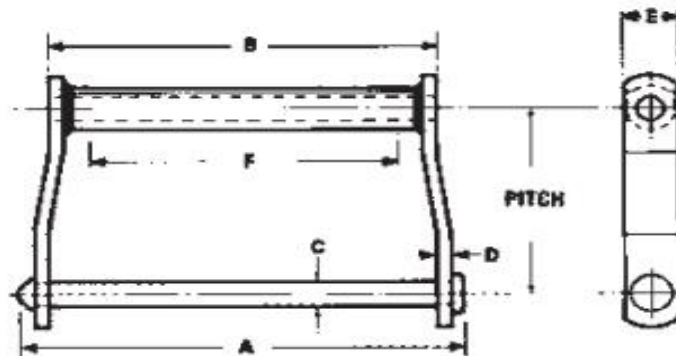
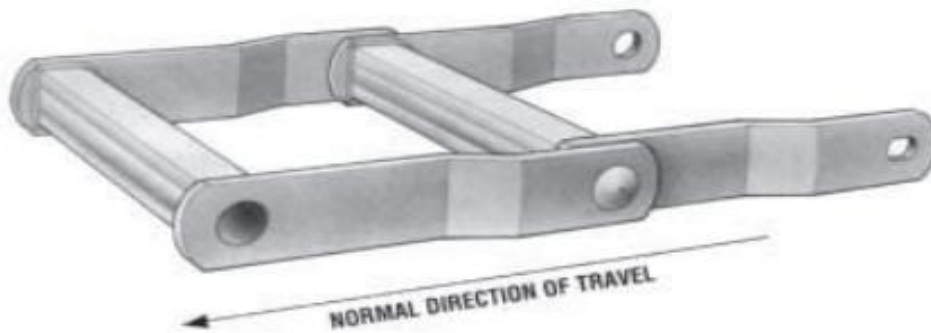
DRAG CHAIN

CAN-AM WELDED STEEL DRAG CHAINS

provide efficient and economical service when used in chip and sawdust conveyors, and like applications. Features include original formed barrel design for complete rivet to barrel contact for maximum rivet wear, higher impact

strength, weldability of attachments and option of heat treating and/or induction hardening specific parts.

Reverse barrel chain is available. Contact Factory.

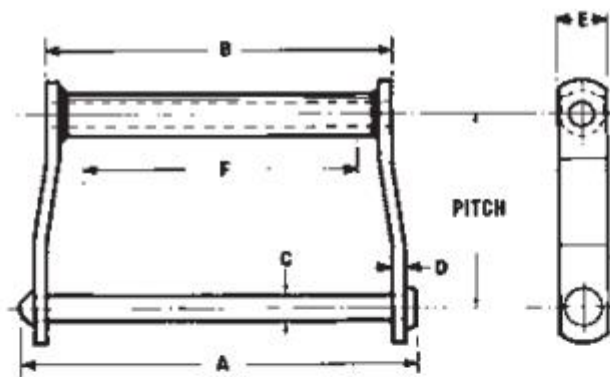


Chain Number	Average Pitch in Inches	Ultimate Strength lbs.	Allowable Working Load lbs.	Links per Foot	Weight per Foot in lbs.	Overall Width	Length of Bearing	Rivet Dia.	Side Bar Thickness	Side Bar Height	Maximum Sprocket Face
						A	B	C	D	E	F
WD-102	5.000	51,000	10,200	2.4	12.0	9 1/4	7 3/4	3/4	3/8	1 1/2	6 3/8
WD-104	6.000	51,000	10,200	2	8.1	6 3/4	5 3/8	3/4	3/8	1 1/2	4 1/8
WD-110	6.000	51,000	10,200	2	12.0	11 3/4	10 1/4	3/4	3/8	1 1/2	9
WD-112	8.000	51,000	10,200	1.5	9.5	11 3/4	10 1/4	3/4	3/8	1 1/2	9
WD-116	8.000	51,000	10,200	1.5	13.8	15 1/2	14 1/8	3/4	3/8	1 3/4	13
WD-118	8.000	70,000	14,000	1.5	18.7	16 5/8	14 7/8	7/8*	1/2	2	13 1/4
WD-120	6.000	70,000	14,000	2	18.4	12	10 1/4	7/8*	1/2	2	8 3/4
WD-122	8.000	70,000	14,000	1.5	15.3	12	10 1/4	7/8*	1/2	2	8 3/4
WD-480	8.000	70,000	14,000	1.5	17.1	14 1/2	12 3/4	7/8*	1/2	2	11

*Also available in 1" Ø pin



CAN-AM (XHD) HEAVY DUTY DRAG CHAINS



Chain Number	Average Pitch in Inches	Ultimate Strength lbs.	Allowable Working Load lbs.	Links per Foot	Weight per Foot lbs.	Overall Width	Length of Bearing	Rivet Dia.	Side Bar Thickness	Side Bar Height	Maximum Sprocket Face
						A	B	C	D	E	F
WD-120XHD	6.000	122,000	24,400	2	22.5	12 3/4	10.5	1	5/8	2	8 3/4
WD-118XHD	8.000	122,000	24,400	1.5	22.5	17 3/8	15 1/8	1	5/8	2	11
WD-122XHD	8.000	122,000	24,400	1.5	19.5	12 3/4	10.5	1	5/8	2	8 3/4
WD-480XHD	8.000	122,000	24,400	1.5	21	15 1/4	13	1	5/8	2	11

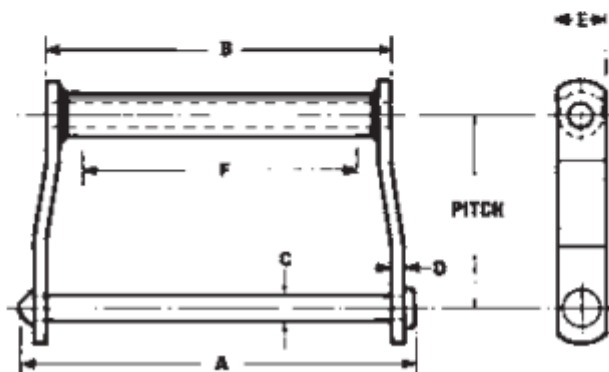


SUPER HOG CHAINS

CAN-AM "SUPER HOG" DRAG CHAIN

features a formed, heavy wall seamless tube barrel. This rugged barrel supports a through and induction hardened 1" steel rivet. The "Super Hog" design eliminates crushed/peeled barrels and reduces wear due to racking. When the going gets tough...use CAN-AM "Super Hog" in log hauls, chip conveyors & heavy duty hog fuel handling application.

**STANDARD
"SUPER HOG" CHAINS
FEATURE FULLY THROUGH
HARDENED THEN INDUCTION HARDENED
RIVETS AVAILABLE WITH HEAT-TREATED
SIDEBARS (WDRS) OR HEAT-TREATED
SIDEBAR AND
BARRELS (WDH).**



**HEAVY BARRELS RESIST CRUSHING • CAN BE RUN FASTER • LONGER LIFE • LESS DOWNTIME
• SNUG FITTING RIVETS MINIMIZE RACKING • WILL MOVE HEAVIER LOADS**

"SUPER HOG" (SH)

PRODUCT SPECIFICATIONS

Chain Number	Average Pitch in Inches	Ultimate Strength lbs.	Allowable Working Load lbs.	S.H.* Links per Foot	Weight per Foot	Overall Width	Length of Bearing	Rivet Dia.	Side Bar Thickness	Side Bar Height	Maximum
						A	B	C	D	E	F
WDRS118-SH	8.000	85,500	17,100	1.5	22	16 5/8	14 7/8	1	1/2	2	13 1/4
WDRS118-XHDSH	8.000	122,000	24,400	1.5	24.5	17 3/8	14 7/8	1	5/8	2	13 1/4
WDRS120-SH	6.000	85,500	17,100	2	22	12	10 1/4	1	1/2	2	8 3/4
WDRS120-XHDSH	6.000	122,000	24,400	2	24	12 3/4	10 1/4	1	5/8	2	8 3/4
WDRS122-SH	8.000	85,500	17,100	1.5	17.5	12	10 1/4	1	1/2	2	8 3/4
WDRS122-XHDSH	8.000	122,000	24,400	1.5	20	12 3/4	10 1/4	1	5/8	2	8 3/4
WDRS480-SH	8.000	85,500	17,100	1.5	21.5	14 1/2	12 3/4	1	1/2	2	11
WDRS480-XHDSH	8.000	122,000	24,400	1.5	23	15 1/4	13	1	5/8	2	11

*SH = Super Hog

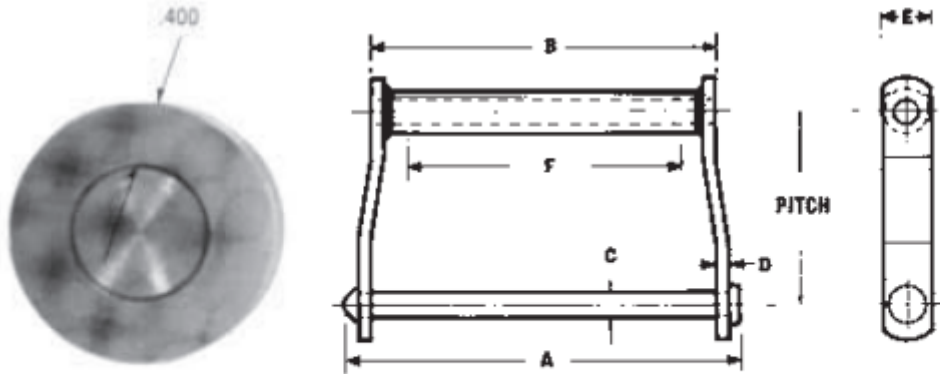


WORK HOG CHAINS

CAN-AM "WHOLE HOG" DRAG CHAIN

has the same rugged characteristics as the "Super Hog". The main difference...the barrel is extra heavy, round, but packed with the same oversize, greased rivet. This chain is for "Big" logs and two way operations. Use "Whole Hog" for applications so brutal that only a real "tough" chain will do the job. CAN-AM chain...built to take it!

**STANDARD
"WHOLE HOG" CHAINS FEATURE
FULLY THROUGH HARDENED THEN INDUCTION
HARDENED RIVETS AND THROUGH
HARDENED SIDE BARS.**



**HEAVY BARRELS RESIST CRUSHING • CAN BE RUN FASTER • LONGER LIFE • LESS DOWNTIME
• SNUG FITTING RIVETS MINIMIZE RACKING • WILL MOVE HEAVIER LOADS**

"WHOLE HOG" (WH)

PRODUCT SPECIFICATIONS

Chain Number	Average Pitch in Inches	Ultimate Strength lbs.	Allowable Working Load lbs.	Links per Foot	W.H.* Weight per Foot	Overall Width	Length of Bearing	Rivet Dia.	Side Bar Thickness	Side Bar Height	Maximum
						A	B	C	D	E	F
WDRS118-WH	8.000	85,500	17,100	1.5	25.5	16 5/8	14 7/8	1	1/2	2	13 1/4
WDRS118-XHDWH	8.000	122,000	24,400	1.5	28	17 3/8	14 7/8	1	5/8	2	13 1/4
WDRS120-WH	6.000	85,500	17,100	2	24	12	10 1/4	1	1/2	2	8 3/4
WDRS120-XHDWH	6.000	122,000	24,400	2	27	12 3/4	10 1/4	1	5/8	2	8 3/4
WDRS122-WH	8.000	85,500	17,100	1.5	20	12	10 1/4	1	1/2	2	8 3/4
WDRS122-XHDWH	8.000	122,000	24,400	1.5	22	12 3/4	10 1/4	1	5/8	2	8 3/4
WDRS480-WH	8.000	85,500	17,100	1.5	22.5	14 1/2	12 3/4	1	1/2	2	11
WDRS480-XHDWH	8.000	122,000	24,400	1.5	25	15 1/4	13	1	5/8	2	11

*WH = Whole Hog

