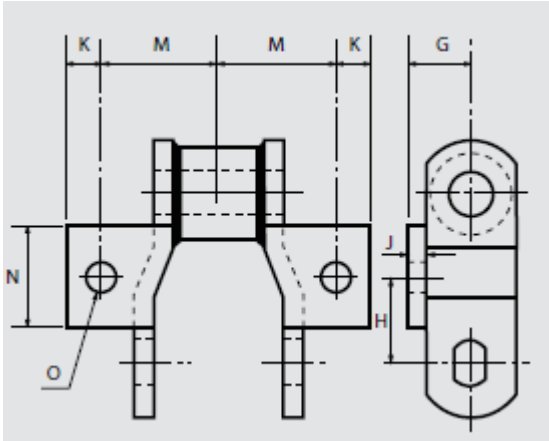


# SUPPLY SERVICES

performance engineering products

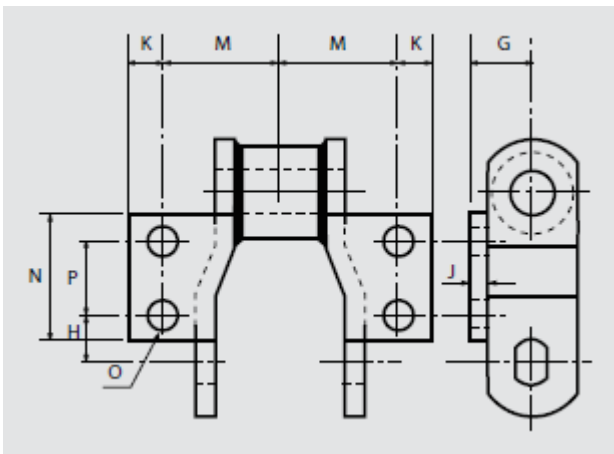
## Mill Chain Attachments

### K1 Attachments (A1 if one side)



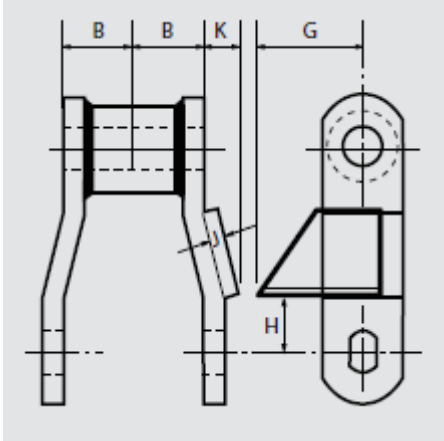
Chain Number	G	H	J	K	M	N	Bolt Size O
WR-78	7/8	1 1/4	1/4	1/2	2	1 1/4	3/8
WR-78HD(X)	7/8	1 1/4	1/4	1/2	2	1 1/4	3/8
WR-82	7/8	1 1/2	1/4	5/8	2 3/8	1 3/4	3/8
WR-82XHD	1 1/8	1 1/2	3/8	5/8	2 3/8	1 3/4	3/8
WR-124	1 1/8	2	3/8	5/8	2 5/8	1 3/4	3/8
WR-124XHD	1 1/2	2	1/2	3/4	2 5/8	1 3/4	1/2
WR-111	1 1/4	2 1/8	3/8	5/8	3 1/8	1 3/4	3/8
WR-132	1 1/2	3	1/2	7/8	3 3/4	2	1/2
WR-132HD(X)	1 1/2	3	1/2	7/8	3 3/4	2	1/2

### K2 Attachments (A2 if one side)



Chain Number	G	H	J	K	M	N	P	Bolt Size O
	Inches							
WR-78	7/8	13/16	1/4	1/2	2	2 1/8	1 1/8	3/8
WR-78HD(X)	7/8	13/16	1/4	1/2	2	2 1/8	1 1/8	3/8
WR-82	7/8	1/2	1/4	5/8	2 1/8	2 1/4	1 1/4	3/8
WR-82XHD	1 1/8	1/2	3/8	5/8	2 3/8	2 1/4	1 1/4	3/8
WR-124	1 1/8	7/8	3/8	5/8	2 5/8	3	1 15/16	3/8
WR-124XHD	1 1/2	7/8	1/2	3/4	2 5/8	4	1 15/16	1/2
WR-111	1 1/4	1	3/8	3/4	3 1/8	4	2 5/16	3/8
WR-132	1 1/2	1 5/8	1/2	3/4	3 3/4	4 1/4	2 3/4	1/2
WR-132HD(X)	1 1/2	1 5/8	1/2	7/8	3 3/4	4 1/4	2 3/4	1/2
WR-150	1 3/4	1 5/8	1/2	7/8	3 3/4	4 1/4	2 3/4	1/2

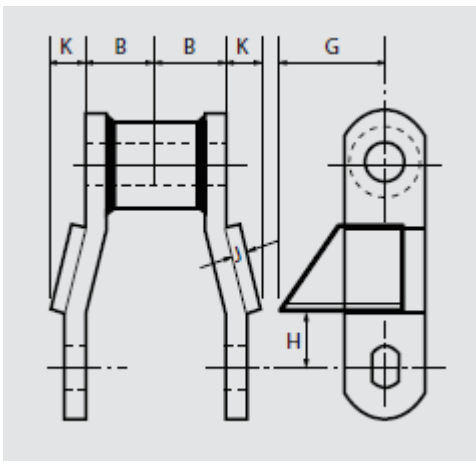
## R2 Attachments



Chain Number	B	G	H	J	K	Average Weight Lbs/Foot
	Inches					
WR-78	1	1 9/16	1	1/4	1/2	4.4
WR-78HD(X)	1 1/8	1 9/16	1	3/8	5/8	7.5
WR-82	1 1/8	1 3/4	13/16	1/4	1/2	6.0

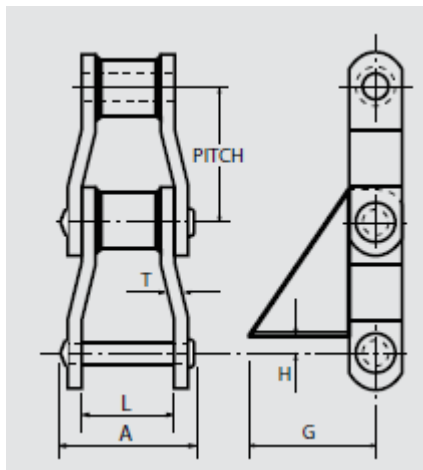
RR-1 Attachments are similar except travel is narrow end forward. (Point direction is reversed.)

## RR2 Attachments



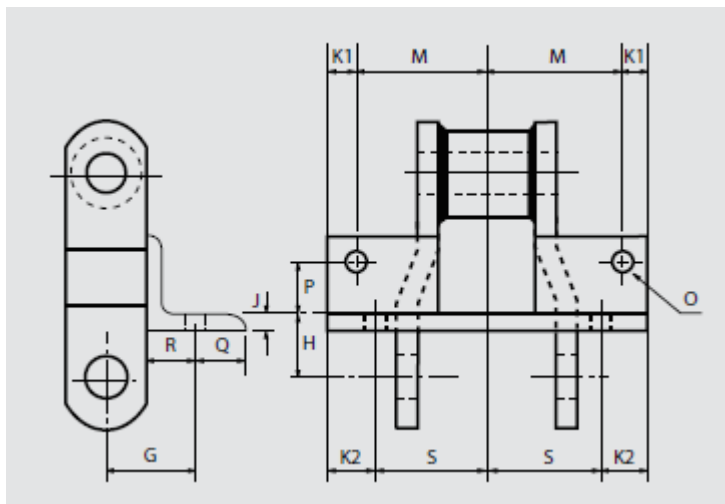
Chain Number	B	G	H	J	K	Average Weight
	Inches					Lbs/Foot
WR-78	1	1 9/16	1	1/4	1/2	4.8
WR-78HD(X)	1 1/8	1 9/16	1	3/8	5/8	8.0
WR-82	1 1/8	1 3/4	13/16	1/4	1/2	6.5
WR-82XHD	1 3/16	2 1/16	13/16	3/8	3/4	8.5
WR-124	1 3/8	1 7/8	1 1/2	3/8	3/4	9.3
WR-132	2 13/64	2 1/2	1 1/2	1/2	7/8	16.0

## S1 Attachments



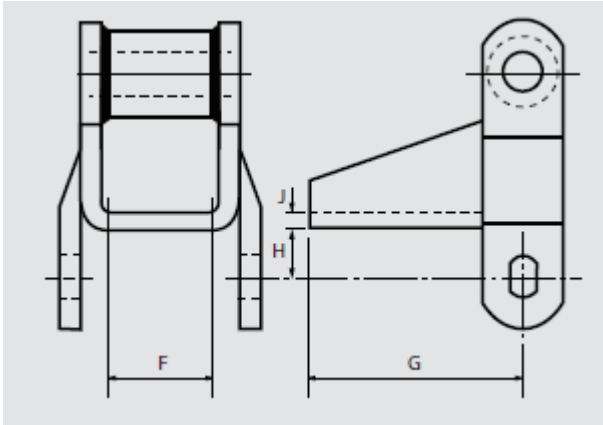
Chain Number	A	G	H	L	T	Average Weight
	Inches					Lbs/Foot
WR-124	4 1/4	3 3/4	1	3 5/8	3/8	17.4
WR-111	4 13/16	4	1	4 3/16	3/8	18.3
WR-106	4 1/4	3 3/4	1	3 5/8	3/8	16.1
WR-124XHD	4 7/8	3 3/4	1 9/32	4 1/8	1/2	26.0
WR-132	6 1/4	5	1 9/32	5 9/32	1/2	18.0
WR-150	6 1/4	5 1/2	1 9/32	5 9/32	1/2	20.0

## F4 Attachments



Chain Number	G	H	J	K1	K2	M	P	Q	R	S	Average Weight	Bolt Size O
	Inches										Lbs/Foot	Inches
WR-78	1 3/4	1	1/4	1/2	7/8	2 1/4	15/16	5/8	1 1/8	1 7/8	8.3	3/8
WR-78XHD	1 3/4	1	1/4	1/2	7/8	2 1/4	15/16	5/8	1 1/8	1 7/8	9.9	3/8
WR-82	1 13/16	1 1/4	1/4	7/16	7/8	2 1/2	1 1/8	13/16	1 3/16	2 1/16	8.9	3/8
WR-82XHD	2 1/16	1 1/4	3/8	1/2	1 1/16	2 1/2	1 1/8	1 1/16	1 3/16	2 1/16	12.5	3/8
WR-124	2 1/16	1 5/32	3/8	1/2	1 1/16	2 5/8	1 1/16	1 1/16	1 5/16	2 1/16	11.6	3/8

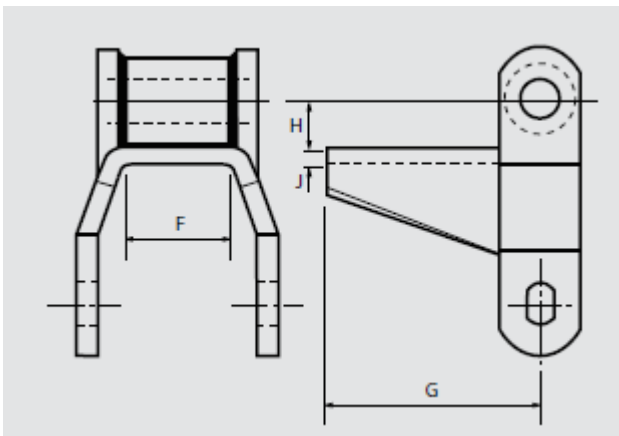
## H1 Attachments



Chain Number	F	G	H	J	Average Weight
	Inches				
WR-78	1 1/2	3 5/8	1/2	3/16	6.6
WR-78XHD	1 1/2	3 5/8	1/2	3/16	9.5
WR-82	1 3/4	3 5/8	5/8	3/16	8.9
WR-82XHD	1 3/4	3 7/8	5/8	3/16	12.1

Note: H1 Also fits 8IX

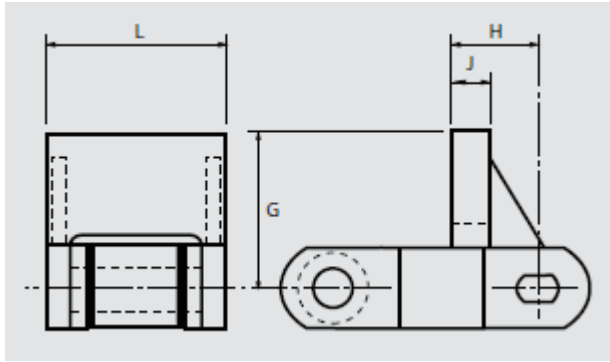
## H2 Attachments



Chain Number	F	G	H	J	Average Weight
	Inches				
WR-78	1 1/2	3 5/8	1/2	3/16	6.6
WR-78XHD	1 1/2	3 5/8	1/2	3/16	9.5
WR-82	1 3/4	3 5/8	5/8	3/16	8.9
WR-82XHD	1 3/4	3 7/8	5/8	3/16	12.1



## RF2 Attachments

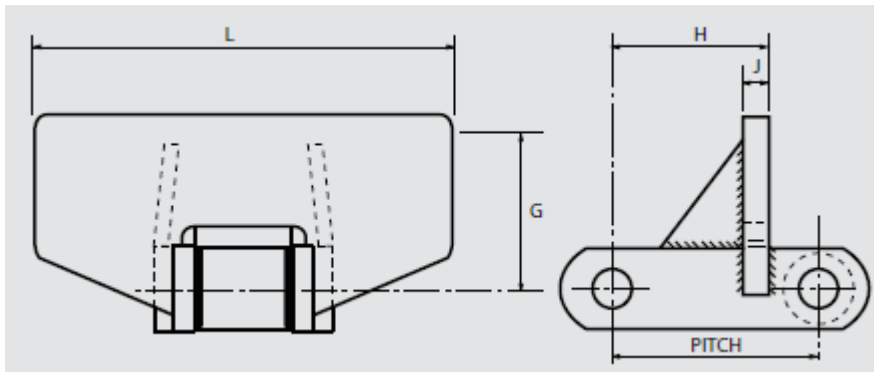


Chain Number	G	H	J	L	Average Weight
					Lbs/Foot
Inches					
WR-78	2 11/16	1 1/2	1/4	3	7.7
WR-78HD(X)	2 11/16	1 1/2	3/8	3	10.7
WR-82XHD	2 3/4	2 9/64	3/8	3 1/4	12.3
WR-124	3 1/4	2	1/2	4 1/4	15.8
WR-111	3 1/4	2 1/8	1/2	7 3/4	14.5
WR-132	3 1/2	3	3/4	9	28.5

Specifications for C Style Chain same as above  
Specify L and G Dimension when ordering.

Also available for wide end forward operation.

## RF12 Attachments



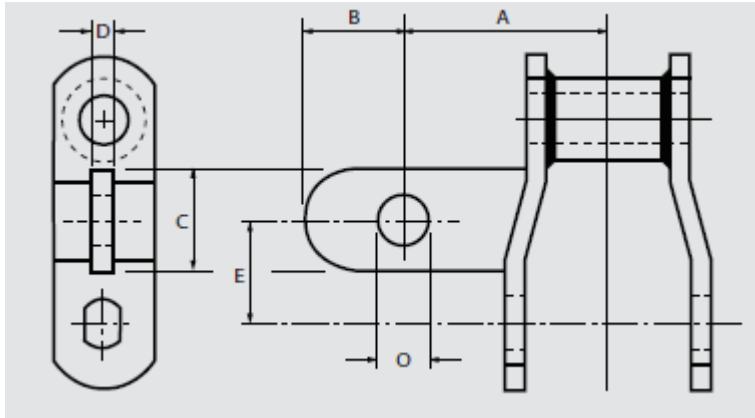
Chain Number	G	H	J	L	Average Weight
					Lbs/Foot
Inches					
WR-78	2 11/16	1 1/2	1/4	3	7.7
WR-78HD(X)	2 11/16	1 1/2	3/8	3	10.7
WR-82XHD	2 3/4	2 9/64	3/8	3 1/4	12.3
WR-124	3 1/4	2	1/2	4 1/4	15.8
WR-111	3 1/4	2 1/8	1/2	7 3/4	14.5
WR-132	3 1/2	3	3/4	9	28.5

Specifications for C Style Chain same as above  
Specify L and G Dimension when ordering.

Also available for wide end forward operation.



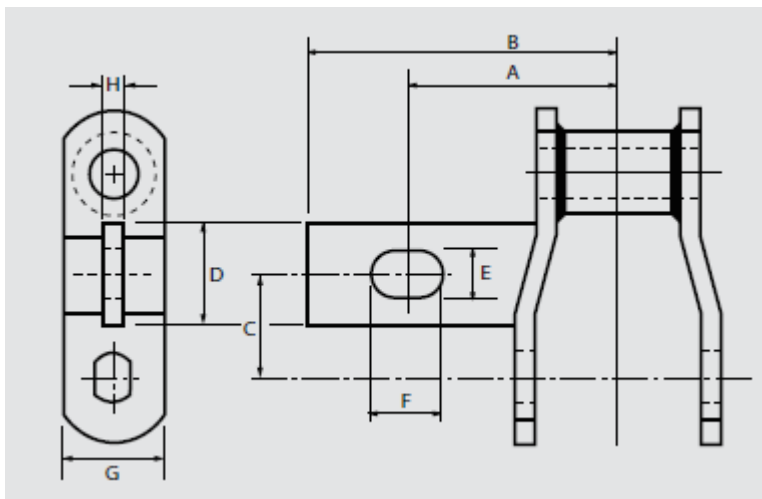
## A22 Attachments



Chain Number	A	B	C	D	E	O
	Inches					
WR-78	2	5/8	1 1/4	1/4	1 1/4	7/16
WR-124	3	7/8	1 3/4	3/8	2	9/16
WR-111	3 1/2	7/8	1 3/4	3/8	2 3/8	9/16
WR-106	2 3/4	7/8	1 3/4	3/8	3	9/16
WR-132	4 1/4	1	1 3/4	1/2	3	13/16
WR-132XHD	4 1/4	1	2	5/8	3	13/16

Specify left or right hand when ordering.

## Slotted A22 for Waferizer Chains

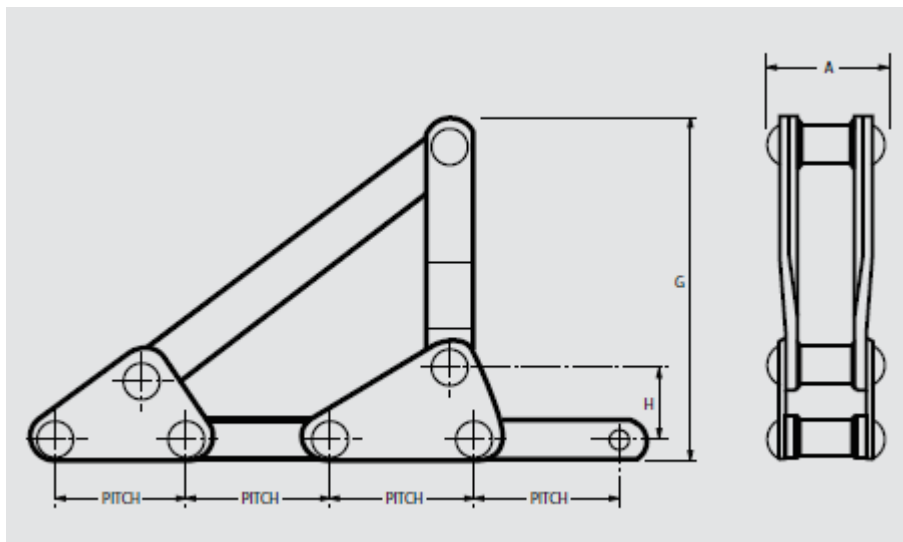


Chain Number	A	B	C	D	E	F	G	H
	Inches							
WR-124	4	5 15/16	1 3/4	2	13/16	1 1/2	1 1/2	1/2
WR-124XHD	4 1/8	6 1/16	1 3/4	2	13/16	1 1/2	2	1/2
WR-106	4	5 15/16	3	2	13/16	1 1/2	1 1/2	1/2
WR-106XHD	4 1/8	6 1/16	3	2	13/16	1 1/2	2	1/2
WR-132	4 1/2	6 1/4	3	2	13/16	1 1/2	2	1/2
WR-132XHD	4 5/8	6 3/8	3	2 1/2	13/16	1 1/4	2	1/2
WR-144	4	5 15/16	3	2	13/16	1 1/2	1 3/4	1/2
WR-166	4	5 15/16	3	2	13/16	1 1/2	1 3/4	1/2

All items to the left are also available in "H" Series, fully heat treated, and/or plus "IBR" induction hardened options.

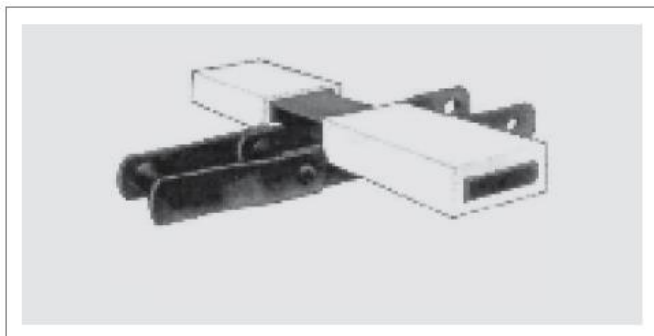


## Side-Lift Log Chairs



Chain Number	Average Pitch	Rivet Dia.	Overall Width	Height	H	Pitches per Assembly
			A	G		
			Inches			pcs.
WR-78	2.609	1/2	3	8-14	1 7/8	4-5
WR-82	3.075	9/16	3 1/4	10-14	1 7/8	5-6
WR-124	4.000	3/4	4 1/4	10-18	2 7/8	4-6
WR-124XHD	4.063	1	4 7/8	12-18	3	4-6
WR-106	6.000	3/4	4 1/4	12-20	3 3/4	4-6
WR-132	6.050	1	6 1/4	12-24	3 3/4	4-5
WR-132HD(X)	6.050	1	6 3/4	12-24	3 3/4	4-5
WR-150	6.050	1	6 1/4	12-24	4	4-5
WR-155	6.050	1 1/8	6 13/32	12-30	4	4-5
WR-157	6.050	1 1/8	6 3/4	12-30	4	4-5

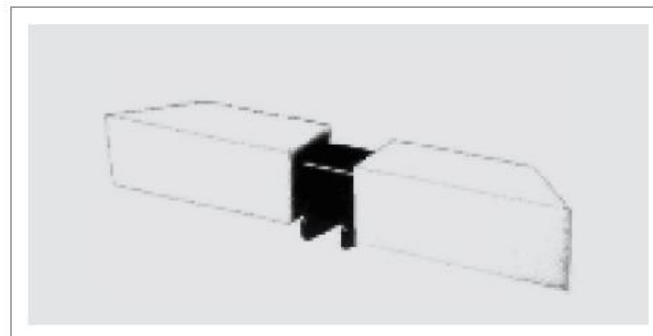
## UHMW-PE Flights



### Flat Bar Style

FB = 3 1/2" x 1"

UHMW = 4 1/2" x 2" outside



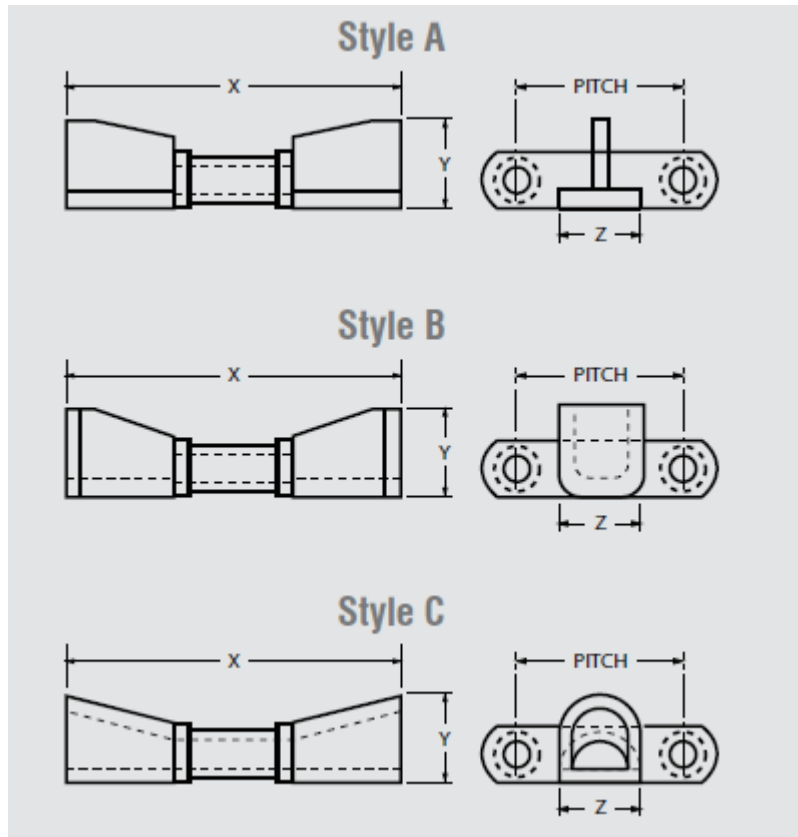
### HSS Square Tube Style

Tube = 3" x 3"

UHMW = 4" x 4" outside



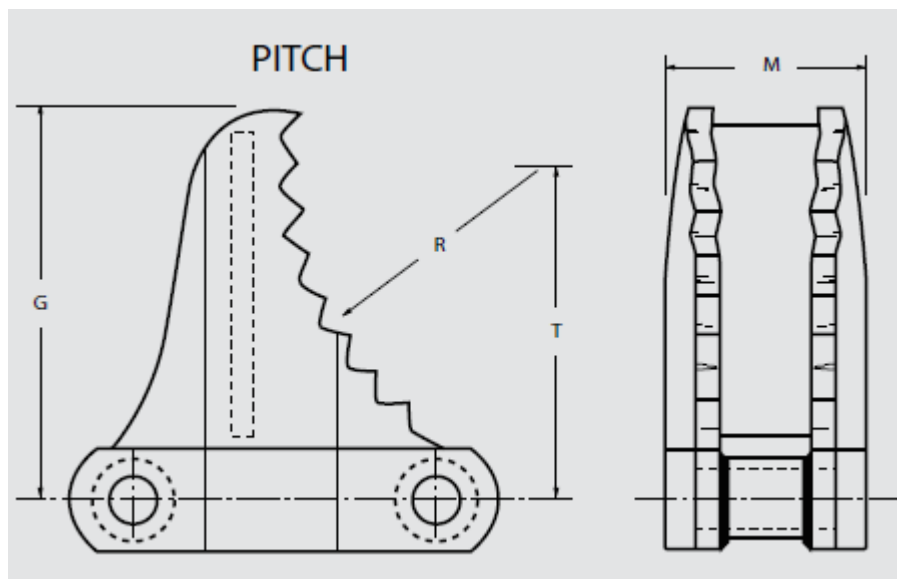
## Log Cradles



Chain Number	Pitch	Style A			Style B			Style C			Special Style C		
		X	Y	Z	X	Y	Z	X	Y	Z	X	Y	Z
Inches													
WR-124	4.000	8	2 1/2	2 1/2	8	2 1/2	2 1/4	8	2 1/4	3 1/2	11	2 15/16	3
WR-111	4.760	8 1/2	2 1/4	1 3/4	8 1/2	3	2 1/4	8 1/2	2 1/4	3 1/2	11	2 15/16	3
WR-124XHD	4.050	8 1/2	3	2 1/2	8 1/2	3	2 1/2	8 1/2	3	3	11	3 3/4	3
WR-106	6.000	8	2 1/4	3	8	2 1/4	2 1/4	8	2 1/4	3 1/2	11 5/8	2 15/16	3 1/2
WR-132	6.050	11	3	3	11	3	3 1/4	11	3	3 1/2	13	3 1/2	3 1/2
WR-132XHD	6.050	11 1/4	3	3	11 1/4	3	3	11 5/8	3	3 1/2	13 5/8	3 1/4	3 1/2

Note: Style "A" cradles could pose conveying problems – discuss with factory.

## Slasher Attachments

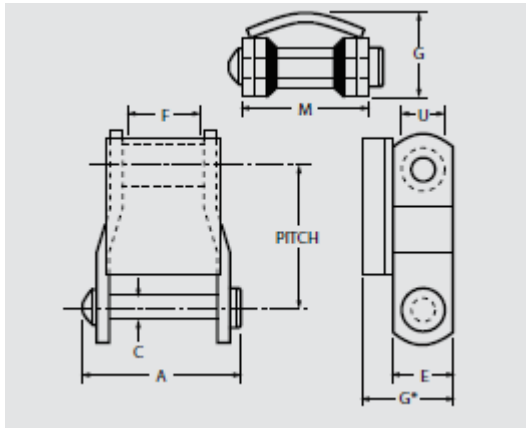




Chain Number	G	R	T	M
	Inches			
WR-124	7 5/16	12	7	4
WR-124XHD	7 5/16	12	7	4 1/4
WR-106	8 1/4	6	6 3/4	3 7/8
WRC-110	8 1/4	6	6 3/4	3 7/8
WR-106XHD	9	6 3/8	7	4 5/64
WR-132	7 5/16	6	7	5 1/2
WRC-132	7 5/16	6	7	5 1/2

\*Available integral to sidebar or welded on

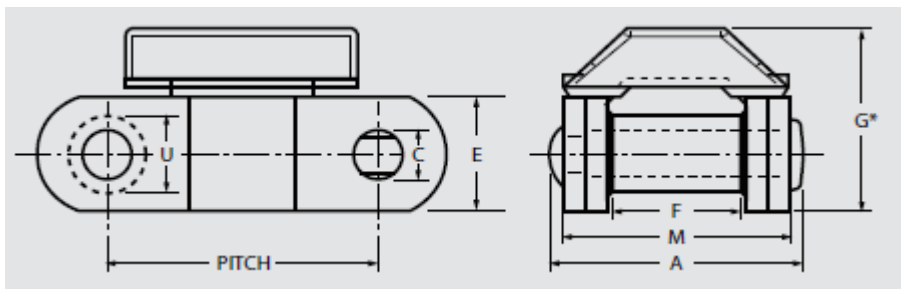
## Steel Universal Roof Top Caps



Chain Number	Chain Pitch Inches	Links pcs./Foot	Average Weight Lbs/Foot	A	C	E	F	G*	M	U
				Inches						
WR-78 U	2.609	4.6	6.0	3	1/2	1 1/4	1	1 13/16	2 5/8	7/8
WR-78 XHDU	2.636	4.6	10.4	3.45	9/16	1 1/4	1	1.90	2 13/16	1
WR-82 U	3.075	3.9	8.0	3 1/2	9/16	1 1/4	1 1/8	2	3	1
WR-82 XHDU	3.075	3.9	13.5	4	3/4	1 1/2	1 1/8	2 3/8	3 5/16	1 1/4
WR-130/8U	4.000	3.0	4.8	3	1/2	1 1/4	1	1 13/16	2 5/8	7/8
WR-124 U	4.000	3.0	13.0	4 1/4	3/4	1 1/2	1 1/2	2 1/2	3 5/8	1 1/4
WR-124 XHDU	4.063	3.0	19.8	4 5/8	1	2	1 1/2	3 1/4	4 1/16	1 5/8

\* Nominal Dimension

## UHMW-PE Roof Top Caps

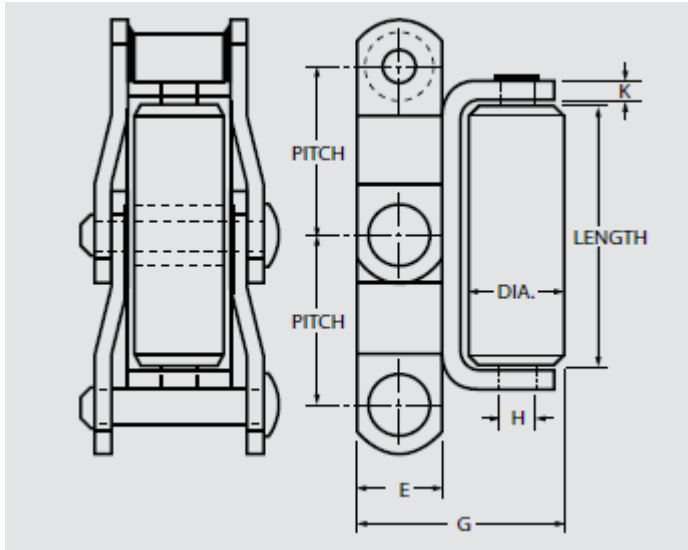


Chain Number	Chain Pitch Inches	Links pcs./Foot	Average Weight Lbs/Foot	A	C	E	F	G*	M	U
				Inches						
WR-78 UP	2.609	4.6	5.4	3	1/2	1 1/4	1	1 15/16	2 5/8	7/8
81X UP	2.609	4.6	3.4	2 1/2	7/16	1 1/8	7/8	1 7/8	1 5/8	7/8

\* Nominal Dimension



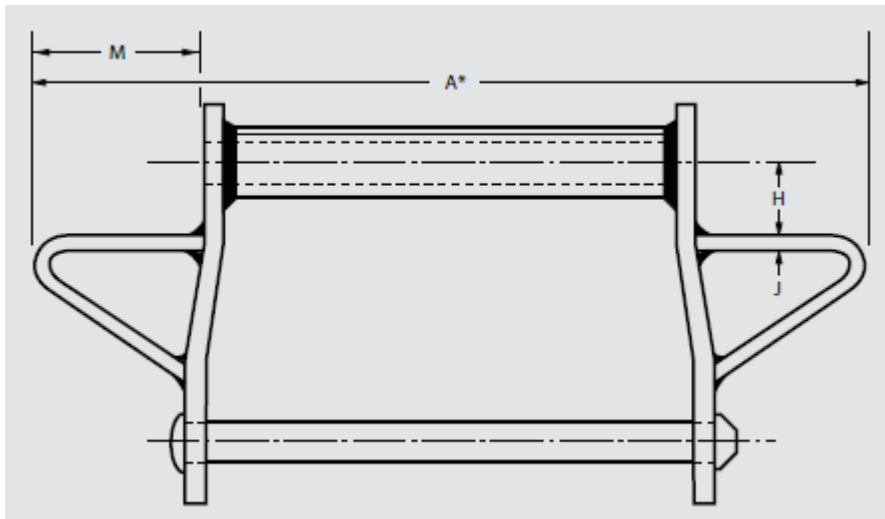
## Nylon Roller Roof Top



Chain Number	Chain Pitch	Links	Average Weight	Roller Length	Roller Dia.	Side Bar Width	Overall Height	Cradle Material	Roller Rivet Dia.
						E	G	K	H
						Inches			
WR-78RTN	2.609	4.6	7.9	4	1 1/4	1 1/4	3 1/8	1/4	1/2

Standard rollout chain supplied with solid nylon roller. WRC 78 (combination chain) styles also available.

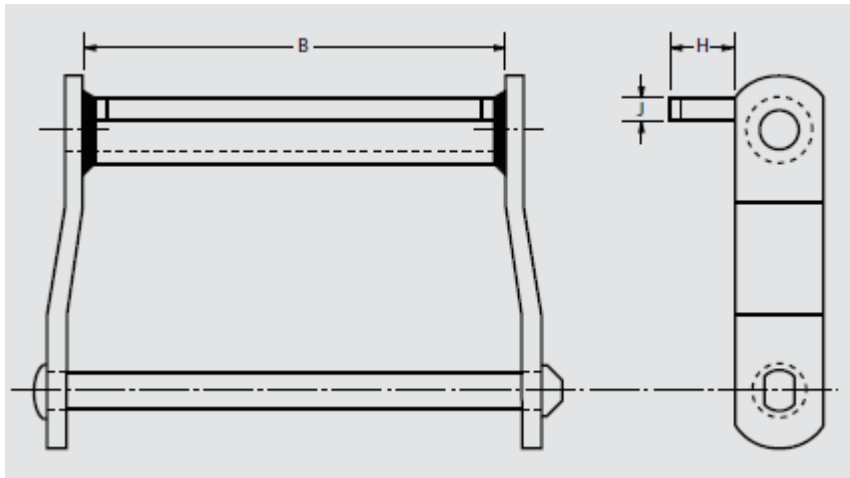
## Drag Chain Wing Attachments



Chain Number	A*	H	J	M
	Inches			
WD 102	14 1/2	1 1/2	3/8	3 1/4
WD 104	12	2 1/4	3/8	3 3/8
WD 110	17	2 1/4	3/8	3 3/8
WD 112	17	2 1/4	3/8	3 3/8
WD 113	17	2 1/4	3/8	3 3/8
WD 116	22	2 1/2	3/8	3 15/16
WD 118	22	2 1/2	1/2	3 9/16
WD 120	17	2 1/2	1/2	3 3/8
WD 122	17	2 1/2	1/2	3 3/8
WD 480	22	2 1/2	1/2	4 5/8
WD 120XHD	17 1/4	2 1/2	1/2	3 1/4
WD 118XHD	22 1/4	2 1/2	1/2	3 7/16
WD 480XHD	22 1/4	2 1/2	1/2	4 1/2

\*Please specify measurement

### Drag Chain C Type Attachments (C-1/2, C-1, C-2, C-3, C-4)



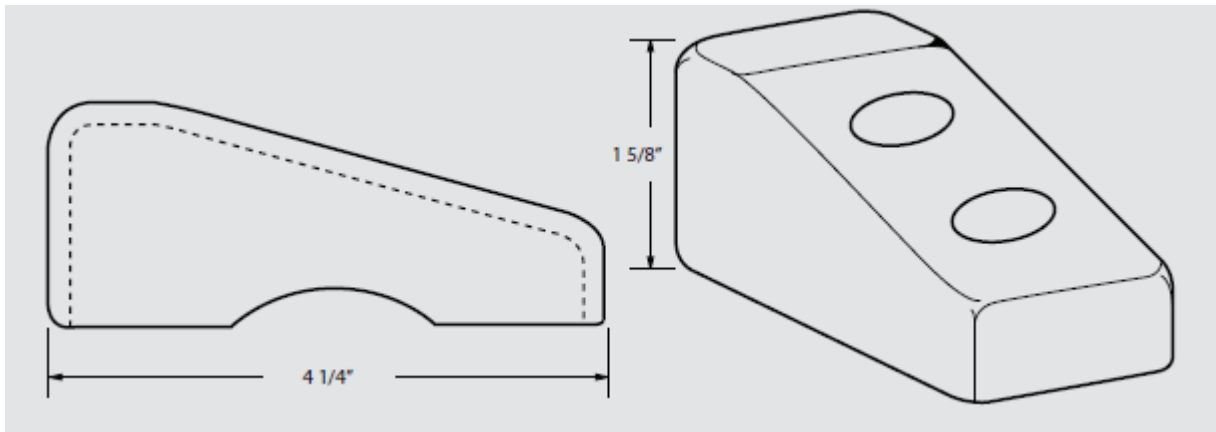
Chain Number	C-1/2*			C-1			C-3			C-4		
	B	J	H	B	J	H	B	J	H	B	J	H
Inches												
WD 102	6 3/4	3/8	1 1/2	6 3/4	3/8	1 1/2	6 3/4	3/8	1 3/4	6 3/4	3/8	3
WD 104	4 1/2	3/8	1 1/2	4 1/2	3/8	1 1/2	4 1/2	3/8	1 3/4	4 1/2	3/8	3
WD 110	9 1/4	3/8	1 1/2	9 1/4	3/8	1 1/2	9 1/4	3/8	1 3/4	9 1/4	3/8	3
WD 112	9 1/4	3/8	1 1/2	9 1/4	3/8	1 1/2	9 1/4	3/8	1 3/4	9 1/4	3/8	3
WD 113	9	1/2	1 1/2	9	1/2	1 3/4	9	1/2	1 3/4	9	1/2	4
WD 116	13	3/8	1 3/4	13	3/8	1 3/4	13	3/8	1 3/4	13	3/8	4
WD 118	13 1/2	1/2	2	13 1/2	1/2	1 3/4	13 1/2	1/2	2	13 1/2	1/2	4
WD 120	9	1/2	2	9	1/2	1 3/4	9	1/2	2	9	1/2	4
WD 122	9	1/2	2	9	1/2	1 3/4	9	1/2	2	9	1/2	4
WD 480	11 1/2	1/2	2	11 1/2	1/2	1 3/4	11 1/2	1/2	2	11 1/2	1/2	4

\*Note: C-1/2 attachments are welded on front of barrel, whereas C-1, C-3, C-4 attachments are welded on top of barrel.  
C-1/2 attachments do not extend above sidebar height.

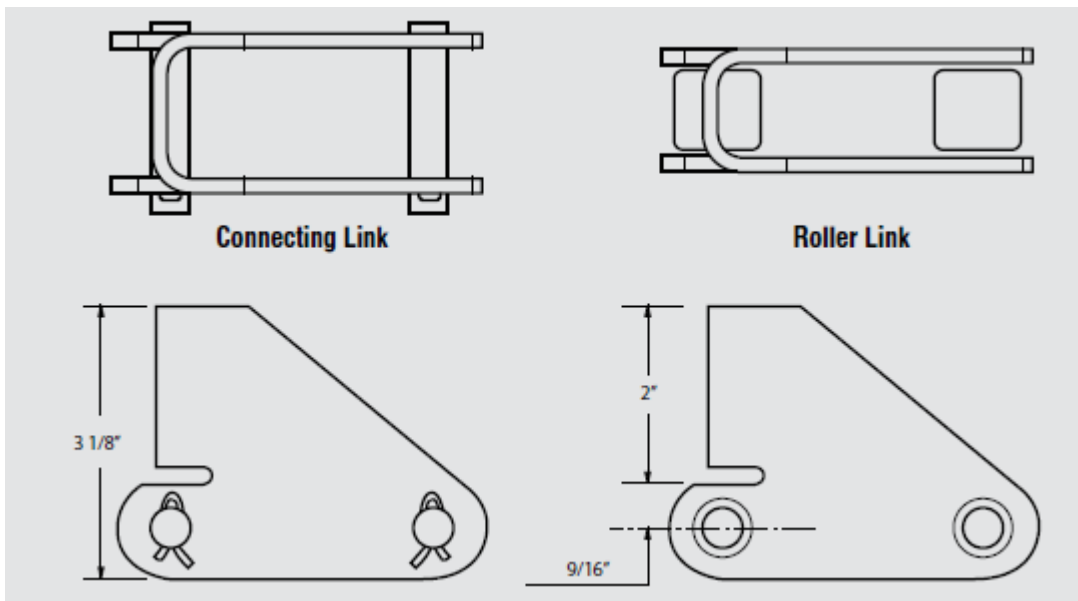


CAN-AM®

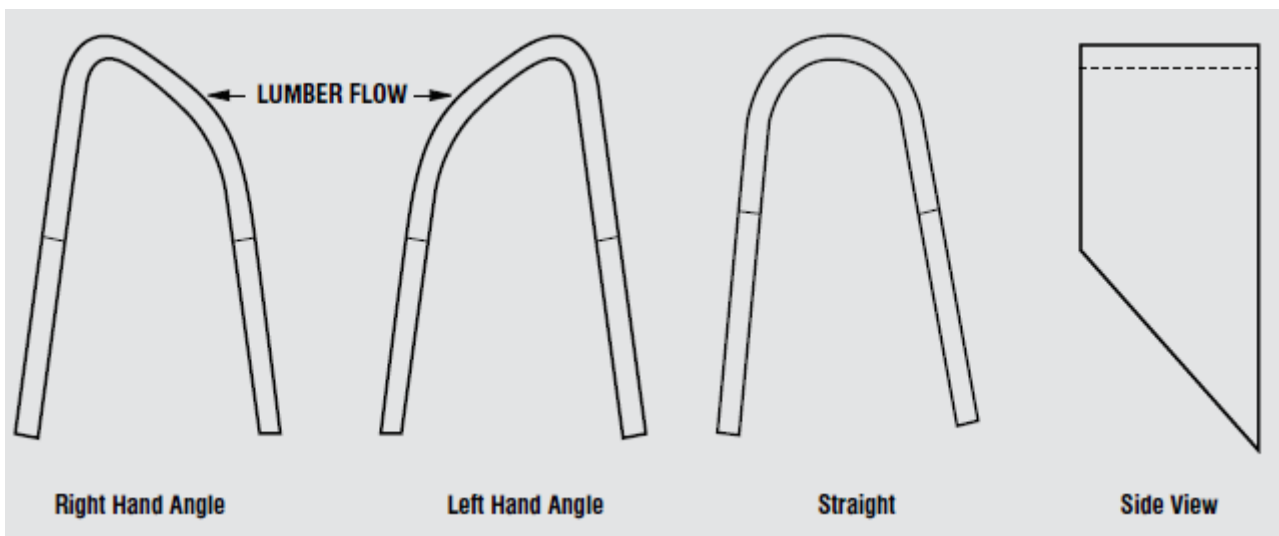
## Cast Steel Trimmer Lugs



## 81-X Pusher Lugs



## Steel Bull Nose Attachments



# Trimmer Chain UHMW-PE Roller Lugs

