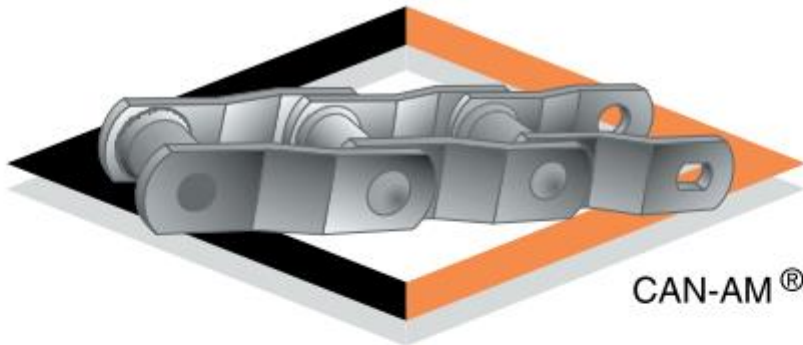


SUPPLY SERVICES

performance engineering products



CAN-AM

**2-2500
Series Bearing**



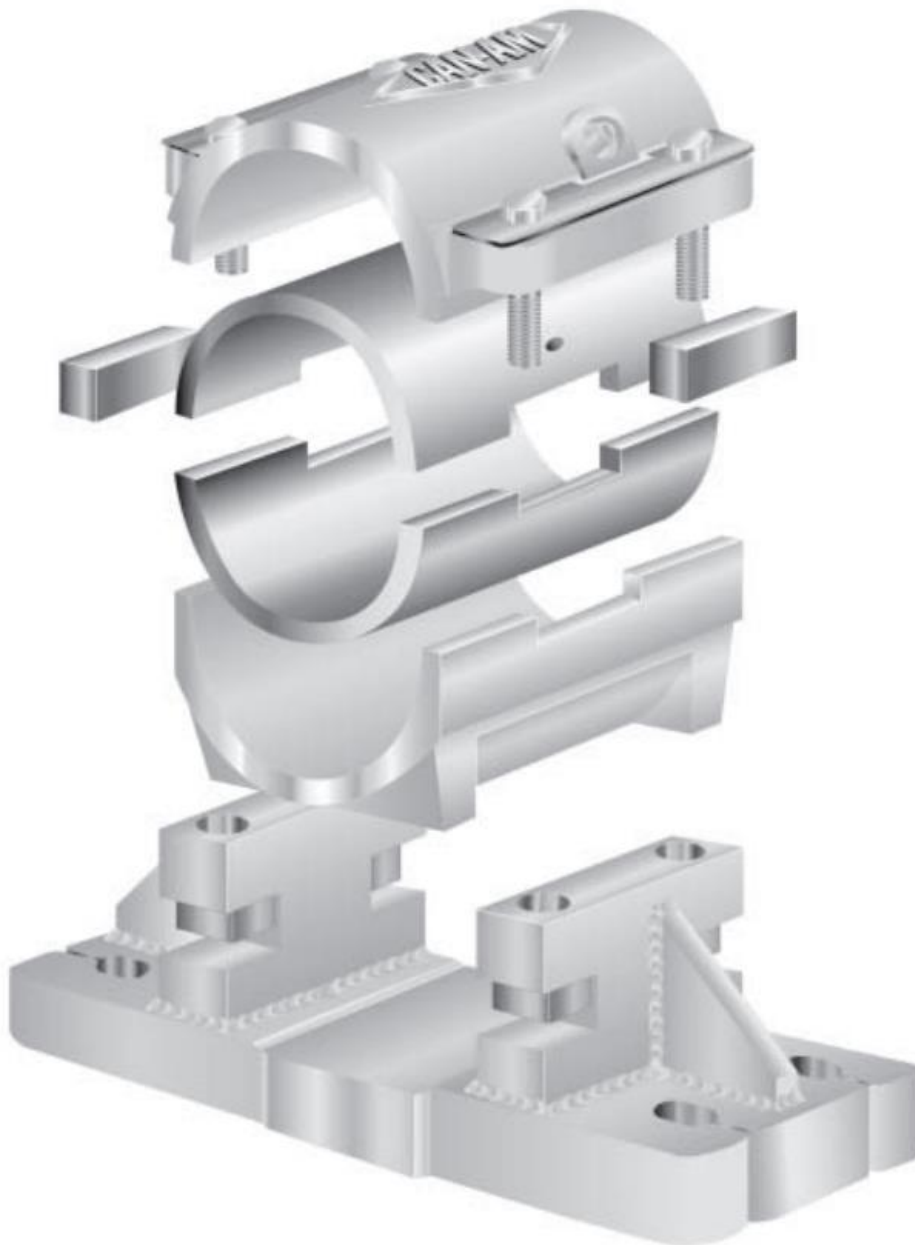
2500 SERIES BEARINGS

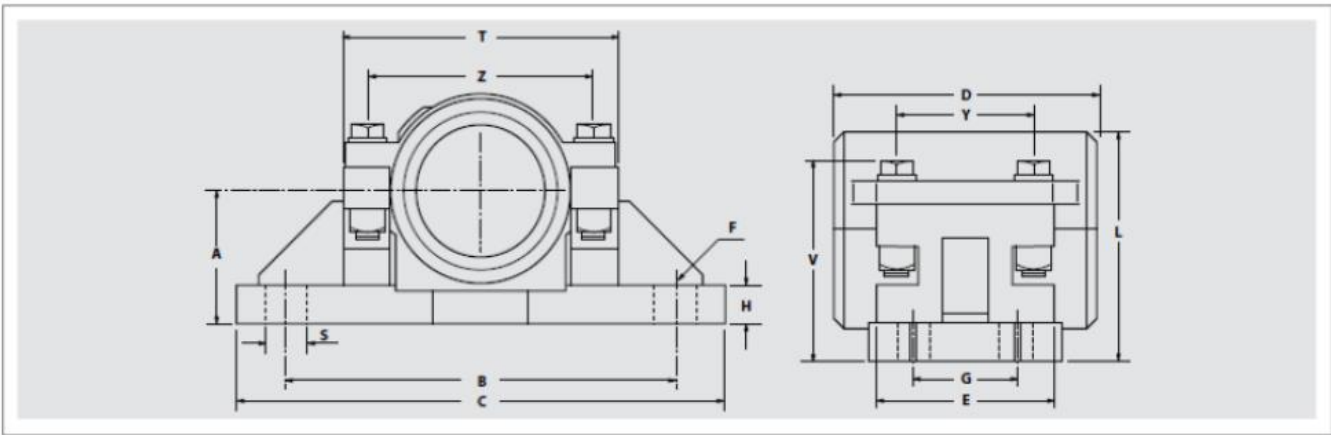
2500 SERIES CAN-AM BEARINGS

features include:

- Less down time: 3 piece design allows for quick repair of bearing while base remains in place. Simply jack up shaft 1/4", lift out cap and insert, and replace.
- Recessed grease fittings in castings to prevent damage.
- Excellent for log deck application and any larger slow-moving shafts, rollcases, etc.
- Can be mounted in any position
- Base is fab. or cast steel

- 4 choices of bushing material:
 - urethane
 - bronze
 - babbitt
 - zinc aluminum
- Steel base and ductile iron insert.





| | A | B | C | D | E | F | G | H | L | S | T | V | Y | Z | Weight |
|--------------------------------|--------|--------|--------|----|-------|-------|-------|-------|--------|-------|--------|-------|--------|--------|--------|
| | Inches | | | | | | | | | | | | | | Lbs |
| 2-2500 SERIES (4 BOLT.) | | | | | | | | | | | | | | | |
| 2 7/16 | 2 3/4 | 8 | 10 1/4 | 5 | 3 3/4 | 5/8 | 2 | 1 | 5 | 1 | 5 5/8 | 4 3/8 | 2 3/4 | 4 3/4 | 25 |
| 2 15/16 | 3 1/4 | 8 3/4 | 11 | 6 | 4 1/4 | 5/8 | 2 1/2 | 1 | 5 5/8 | 1 | 6 | 5 | 3 3/16 | 5 | 35 |
| 3 7/16 | 3 1/2 | 10 1/2 | 13 | 7 | 4 3/4 | 3/4 | 2 3/4 | 1 | 6 3/8 | 1 1/4 | 7 1/4 | 5 1/4 | 3 5/8 | 6 | 46 |
| 3 15/16 | 3 3/4 | 12 | 14 3/4 | 8 | 5 1/4 | 3/4 | 3 | 1 1/4 | 6 7/8 | 1 3/8 | 7 5/8 | 5 5/8 | 4 | 6 1/2 | 64 |
| 4 7/16 | 4 1/8 | 13 1/2 | 16 1/2 | 9 | 6 1/4 | 7/8 | 3 1/2 | 1 1/4 | 7 5/8 | 1 1/2 | 8 7/8 | 6 | 4 7/8 | 7 1/2 | 90 |
| 4 15/16 | 4 1/2 | 15 | 18 | 10 | 7 | 7/8 | 4 | 1 1/4 | 8 1/2 | 1 5/8 | 9 1/2 | 6 1/2 | 5 1/2 | 8 | 115 |
| 5 7/16 | 5 1/2 | 16 1/2 | 20 1/2 | 12 | 8 1/2 | 1 1/8 | 5 | 1 1/2 | 10 | 1 7/8 | 12 | 7 5/8 | 6 3/4 | 10 1/8 | 200 |
| 5 15/16 | 5 1/2 | 16 1/2 | 20 1/2 | 12 | 8 1/2 | 1 1/8 | 5 | 1 1/2 | 10 | 1 7/8 | 12 | 7 5/8 | 6 3/4 | 10 1/8 | 200 |
| 6 7/16 | 6 1/2 | 19 | 23 | 14 | 10 | 1 1/4 | 6 | 2 | 11 1/2 | 2 | 14 1/8 | 8 3/4 | 7 5/8 | 12 | 300 |
| 6 15/16 | 6 1/2 | 19 | 23 | 14 | 10 | 1 1/4 | 6 | 2 | 11 1/2 | 2 | 14 1/8 | 8 3/4 | 7 5/8 | 12 | 300 |
| 7 7/16, 7 15/16, 8 | 7 | 21 1/2 | 26 | 16 | 11 | 1 1/4 | 6 3/4 | 1 3/4 | 13 | 2 1/4 | 17 | 9 3/4 | 8 1/2 | 14 3/8 | 480 |
| 2500 SERIES (2 BOLT.) | | | | | | | | | | | | | | | |
| 2 7/16 | 2 3/4 | 8 | 10 1/4 | 5 | 3 3/4 | 3/4 | - | 1 | 5 | 1 1/8 | 5 5/8 | 4 3/8 | 2 3/4 | 4 3/4 | 25 |
| 2 15/16 | 3 1/4 | 9 1/2 | 12 1/4 | 6 | 4 1/4 | 7/8 | - | 1 | 5 5/8 | 1 3/8 | 6 | 5 | 3 3/16 | 5 | 35 |

Available in Babbitt, Urethane, Zinc-Aluminium & Bronze bushed. Grease fittings are 45° and countersunk into casting to prevent damage. All bearings have ductile housings, and have machine mounting surfaces.

METRIC BORES ALSO AVAILABLE

BEARING LOAD RATING

BEARING LOAD RATING TABLES

The following load rating tables apply when the following installations and operating conditions are met:

1. Maintain adequate grease lubrication. Use of EP grease is recommended.
2. Align bearings with shaft for uniform load distribution.
3. Normal running loads should not exceed ratings shown in load tables. Starting & occasional peak loads should not exceed ratings by more than 100%.
4. The journal shaft surface should be equal to that of commercial steel shafting (about 32 micro-inches) and the diameter within the tolerances of commercial steel shafting.
5. Ambient temperature should not exceed 130° F. for babbitt, 300° F for bronze, 250°F for ZA and 225° F for urethane bushed bearings. If the shaft transmits heat from a source such as an oven, the shaft temperature at the bearing should not exceed these temperatures.
6. Where thrust loads are present, install a bronze washer and fasten it in place with a set collar against end of bearing. The bearing ends are finished.



RADIAL LOAD RATINGS FOR RIGID BRONZE OR ZA12* SLEEVE BEARINGS

| Shaft Size Inches | Shaft Speed, RPM (load rating in lbs.) | | | | | | | | |
|----------------------|--|-------|-------|-------|------|------|------|------|------|
| | 10 | 50 | 100 | 150 | 200 | 250 | 300 | 350 | 400 |
| 1 15/16 - 2 | 1920 | 1880 | 1830 | 1790 | 1740 | 1690 | 1640 | 1590 | 1500 |
| 2 3/16 - 2 1/4 | 2440 | 2390 | 2320 | 2240 | 2170 | 2100 | 2030 | 1960 | 1390 |
| 2 7/16 - 2 1/2 | 3020 | 2940 | 2850 | 2750 | 2650 | 2560 | 2460 | 1860 | 1090 |
| 2 11/16 - 2 3/4 | 3660 | 3560 | 3430 | 3300 | 3170 | 3040 | 2620 | 1580 | 545 |
| 2 15/16 - 3 | 4370 | 4230 | 4060 | 3890 | 3720 | 3550 | 2440 | | |
| 3 7/16 - 3 1/2 | 5960 | 5740 | 5470 | 5200 | 4930 | 3610 | 1440 | | |
| 3 15/16 - 4 | 7790 | 7460 | 7060 | 6650 | 5910 | | | | |
| 4 7/16 - 4 1/2 | 9860 | 9400 | 8820 | 8240 | 5400 | | | | |
| 4 15/16 - 5 | 12180 | 11540 | 10740 | 9950 | 4090 | | | | |
| 5 7/16 - 5 1/2 | 14740 | 13880 | 12820 | 10348 | 1820 | | | | |
| 5 15/16 - 6 | 17530 | 16420 | 15040 | 9520 | | | | | |
| 6 7/16 - 6 1/2 | 20560 | 19150 | 17390 | 7900 | | | | | |
| 6 15/16 - 7 | 23840 | 22070 | 19870 | 5350 | | | | | |
| 7 7/16 - 7 1/2 | 29170 | 26850 | 23950 | 1880 | | | | | |
| 7 15/16 - 8 | 31090 | 28450 | 23410 | | | | | | |

Load ratings are based on industry standards by the Mechanical Power Transmission Association

* Zinc Aluminum alloy (ZA12) has the same wear property as 660 Bronze

RADIAL LOAD RATINGS FOR RIGID BABBITT SLEEVE BEARINGS

| Shaft Size Inches | Shaft Speed, RPM (load rating in lbs.) | | | | | | | | |
|----------------------|--|-------|-------|------|------|------|------|-----|-----|
| | 10 | 50 | 100 | 150 | 200 | 250 | 300 | 350 | 400 |
| 1 15/16 - 2 | 1150 | 1110 | 1060 | 1010 | 965 | 915 | 865 | 815 | 730 |
| 2 3/16 - 2 1/4 | 1460 | 1400 | 1330 | 1260 | 1190 | 1120 | 1050 | 975 | 410 |
| 2 7/16 - 2 1/2 | 1800 | 1730 | 1630 | 1530 | 1430 | 1340 | 1240 | 645 | |
| 2 11/16 - 2 3/4 | 2190 | 2080 | 1950 | 1820 | 1690 | 1560 | 1150 | 110 | |
| 2 15/16 - 3 | 2600 | 2470 | 2300 | 2130 | 1960 | 1790 | 675 | | |
| 3 7/16 - 3 1/2 | 3550 | 3330 | 3060 | 2790 | 2520 | 1200 | | | |
| 3 15/16 - 4 | 4640 | 4310 | 3910 | 3500 | 2760 | | | | |
| 4 7/16 - 4 1/2 | 5870 | 5410 | 4830 | 4250 | 1410 | | | | |
| 4 15/16 - 5 | 7240 | 6600 | 5810 | 5010 | | | | | |
| 5 7/16 - 5 1/2 | 8750 | 7900 | 6840 | 4360 | | | | | |
| 5 15/16 - 6 | 10410 | 9300 | 7910 | 2390 | | | | | |
| 6 7/16 - 6 1/2 | 12200 | 10790 | 9020 | | | | | | |
| 6 15/16 - 7 | 14120 | 12360 | 10150 | | | | | | |
| 7 7/16 - 7 1/2 | 17270 | 14950 | 12050 | | | | | | |
| 7 15/16 - 8 | 18390 | 15750 | 10710 | | | | | | |

Load ratings are based on industry standards by the Mechanical Power Transmission Association



RADIAL LOAD RATINGS FOR RIGID URETHANE SLEEVE BEARINGS

| Shaft Size Inches | Shaft Speed, RPM (load rating in lbs.) | | | | | | | | |
|----------------------|--|-------|------|------|------|------|-----|-----|-----|
| | 10 | 50 | 100 | 150 | 200 | 250 | 300 | 350 | 400 |
| 1 15/16 - 2 | 920 | 890 | 850 | 810 | 770 | 730 | 690 | 650 | 580 |
| 2 3/16 - 2 1/4 | 1170 | 1120 | 1060 | 1010 | 950 | 900 | 840 | 780 | 330 |
| 2 7/16 - 2 1/2 | 1440 | 1380 | 1300 | 1220 | 1140 | 1070 | 990 | 520 | |
| 2 11/16 - 2 3/4 | 1750 | 1660 | 1520 | 1460 | 1350 | 1250 | 920 | 90 | |
| 2 15/16 - 3 | 2080 | 1980 | 1840 | 1700 | 1570 | 1430 | 540 | | |
| 3 7/16 - 3 1/2 | 2840 | 2660 | 2450 | 2230 | 2020 | 960 | | | |
| 3 15/16 - 4 | 3710 | 3450 | 3130 | 2800 | 2210 | | | | |
| 4 7/16 - 4 1/2 | 4700 | 4330 | 3860 | 3400 | 1130 | | | | |
| 4 15/16 - 5 | 5790 | 5280 | 4650 | 4010 | | | | | |
| 5 7/16 - 5 1/2 | 7000 | 6320 | 5470 | 3490 | | | | | |
| 5 15/16 - 6 | 8330 | 7440 | 6330 | 1910 | | | | | |
| 6 7/16 - 6 1/2 | 9670 | 8630 | 7220 | | | | | | |
| 6 15/16 - 7 | 11300 | 9890 | 8120 | | | | | | |
| 7 7/16 - 7 1/2 | 13820 | 11960 | 9640 | | | | | | |
| 7 15/16 - 8 | 14710 | 12600 | 8570 | | | | | | |

Load ratings are based on industry standards by the Mechanical Power Transmission Association

