

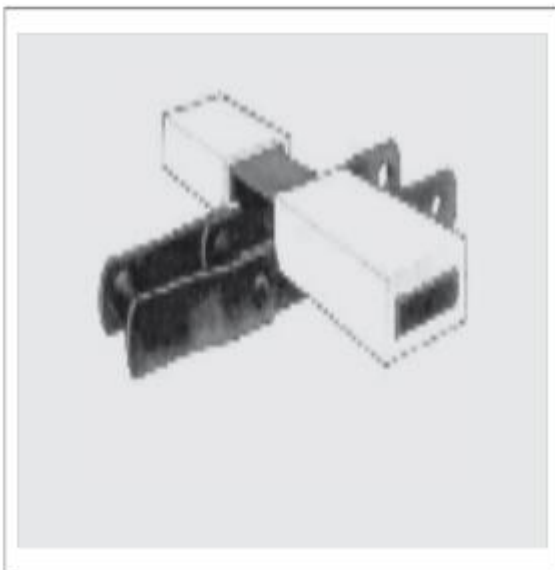
SUPPLY SERVICES

performance engineering products

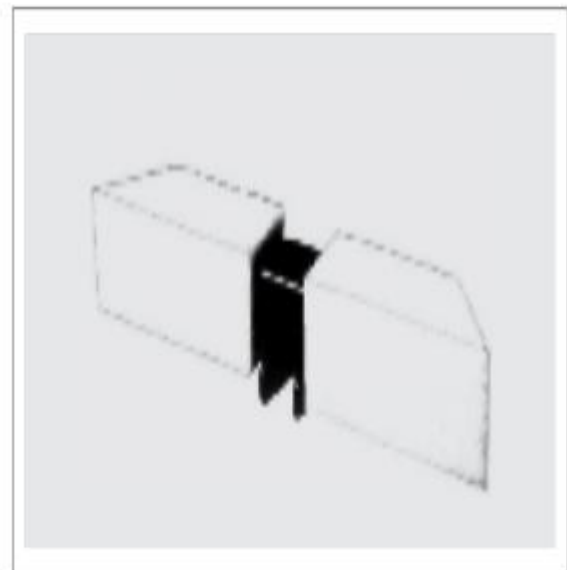
CAN-AM UHMW FLIGHTS

Sleeves are constructed of UHMW and press fitted over steel tube or flat bar. CAN-AM UHMW flights act as the wear strip in the bottom of the conveyor.

Easily replaced sleeves save flat bar and chain wear and greatly reduce maintenance costs. Other features include reduced power consumption and noise reduction.



Flat Bar Style
FB = 3 1/2" x 1"
UHMW = 4 1/2" x 2" outside



HSS Square Tube Style
Tube = 3" x 3"
UHMW = 4" x 4" outside



Box Flytes

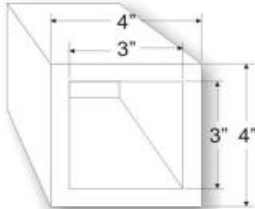
The light-weight, self-lubricating qualities of Northex™ UHMW - PE conveyor flytes provide greater efficiency than steel flytes and require less power to operate.

Northex™ flytes reduce wear on conveyor troughs and reduce noise during operation.



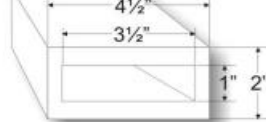
Rectangle Flytes

Virgin ½" Wall
Available in
10' lengths
or cut-to-size.



Virgin

½" Wall



Features:

- Press fit - No retainers required
- Presses over 3" x 3" box tube or 1" x 3½" flat bar
- Available in Virgin or Metal-filled (for safe handling in Pulp applications)

Benefits:

- Light-weight and easy to maintain
- Reduces noise
- Reduces power consumption
- Reduces conveyor wear
- Easy installation
- Low coefficient of friction

Pulp Friendly Metal-ex

Metal-filled
½" Wall
Available in
10' lengths
or cut-to-size.

See pages 29-30



Metal-ex Metal-filled
½" Wall



Pulp Friendly PFP - 75D

Polymer
½" Wall
12" maximum
lengths.

See page 69



PFP - 75D Polymer
½" Wall



PDF-75D Pulp Friendly Polymer



Northane PFP-75D is a high specific gravity pulp friendly product specifically designed and developed to replace UHMW wear products found in most mills today.

Northane PFP-75D dissolves in the Kraft process and has been modified to bring its coefficient of friction as close to UHMW as possible to avoid overloading existing drive systems.

Northane PFP is also available in other durometers for impact and shock absorbing applications.